

## ARP-2219AP

19 inch Panel Mount Fanless Panel PC with i7 CPU

### Features

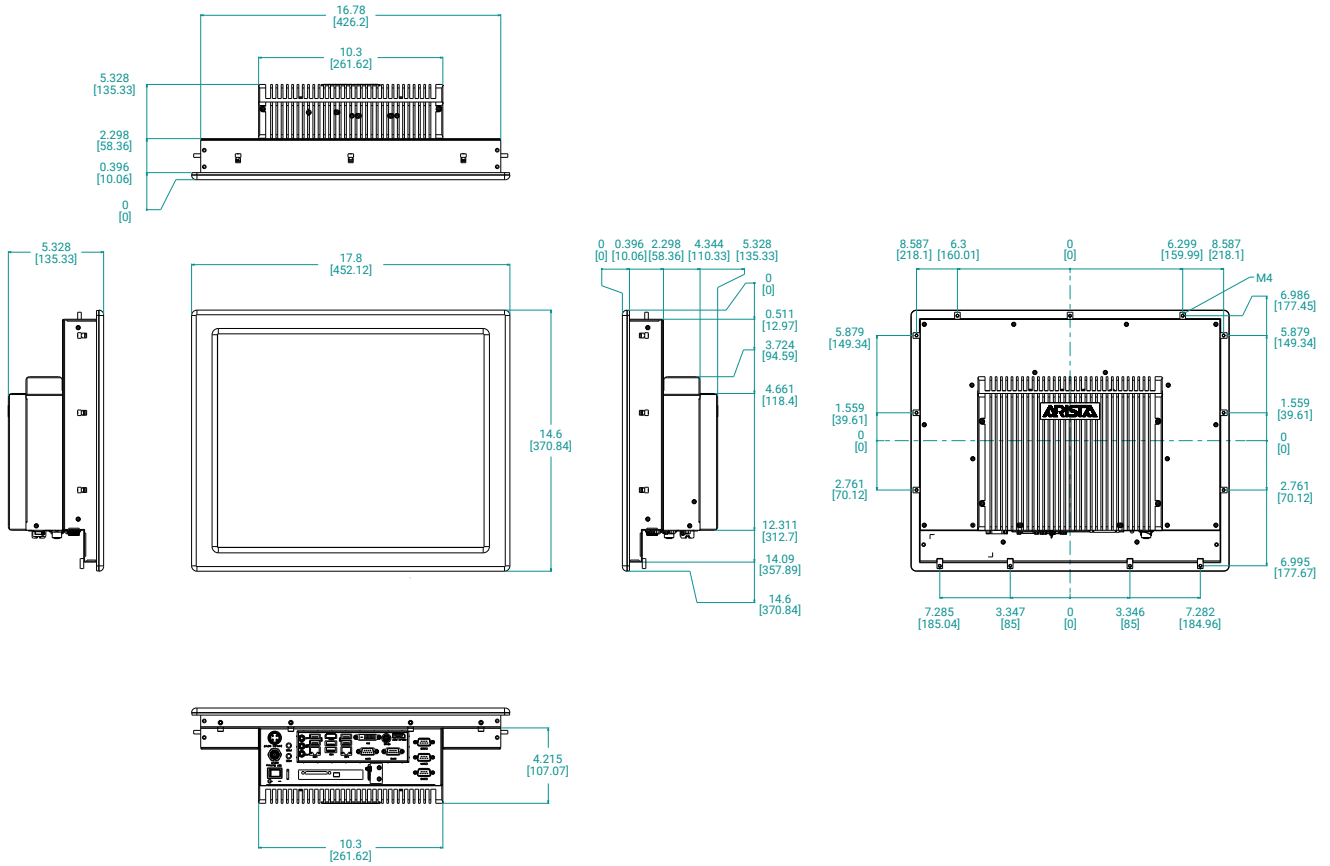
- 19" Active Matrix TFT LCD Display
- Resolution at 1280 X 1024
- Black Powder Coated or Stainless-Steel Bezel
- 5-Wire Resistive Touch or Tempered Glass
- Intel i7-3612QM / i7-6700T CPU
- Up to 8GB DDR3 / 16GB DDR3 / 32GB DDR4
- Dual Gigabit LAN
- Up To 2 x Removable 2.5" SATA SSD
- 1 x PCIe x16

### Specifications

Model Name	ARP-2219AP	
	G01	H01
<b>LCD Display</b>		
Display Size (Diagonal)	19.0 inch	19.0 inch
Resolution	1280 x 1024	1280 x 1024
Backlight Lifetime (Hours)	50,000	50,000
<b>Visual Characteristics</b>		
Colors	16.7 million	16.7 million
Aspect Ratio	5:4	5:4
Viewing Angle (V/H)	160° / 170°	160° / 170°
Contrast Ratio	1000 : 1	1000 : 1
Brightness	450 nits	450 nits
<b>Touch Screen</b>		
Technology	5 Wire Resistive	5 Wire Resistive
Interface	USB	USB
Driver	XP, Win7, Win10	Win10
<b>Front Bezel</b>		
NEMA 4	Black Powder Coated	Black Powder Coated
NEMA 4x	Stainless Steel (Optional)	Stainless Steel (Optional)
Rack Mount Bezel	N/A	N/A
<b>System</b>		
CPU	Intel i7-3612QM	Intel i7-6700T
Chipset	Intel QM77	Intel Skylake
Memory	Up to 16GB DDR3	Up to 32GB DDR4
Video Controller	Intel HD Graphics 4000	Intel® Gen9 Intel Graphics
External Video Output	DVI / HDMI / Display Port	DVI / HDMI / Display Port
Storage Option	2 x 2.5" SATA SSD	2 x 2.5" SATA SSD
CFast	N/A	N/A
Keyboard / Mouse	1 x PS / 2 connector	1 x PS / 2 connector
Audio	Line in, Line Out, Mic-In	Line in, Line Out, Mic-In
Watchdog Timer	Programmable 1 - 255 sec	Programmable 1 - 255 sec
Remote Boot	PXE, ThinManager Ready	PXE
Expansion Slot	1 x PCIe x16	1 x PCIe x16
<b>I/O Communication</b>		
USB Port	4 x USB 2.0, 2 x USB 3.0	2 x USB 2.0, 4 x USB 3.0
Serial Port	2 x RS-232/422/485	2 x RS-232/422/485
IEEE 1394	N/A	N/A
LAN	Dual Gigabit LAN	Dual Gigabit LAN
Parallel	N/A	N/A
GPIO	N/A	N/A
<b>Smart Battery</b>		
External Smart Battery	N/A	N/A
<b>OS Support</b>		
OS Support	WinXP Pro, Win7, Win10	Win 10
<b>Power/Thermal Specs</b>		
Power Requirement (Max)	24VDC / 3.00A	24VDC / 3.20A
Power Consumption (Max)	72 W	77W
Recommended Power Supply	120W	120W
Heat Dissipation	250 BTU/hr	262 BTU/hr
<b>Physical Information</b>		
Mounting	Panel Mount	Panel Mount
Net Weight	25 Lbs / 11 Kg	25 Lbs / 11 Kg
Dimension (W x H x D)	17.80 x 14.60 x 5.71 inch 452.1 x 370.8 x 145.0 mm	17.80 x 14.60 x 5.71 inch 452.1 x 370.8 x 145.0 mm
Recommended Cutout Dimension (WxH)	17.00 x 13.80 inch 431.8 x 350.5 mm	17.00 x 13.80 inch 431.8 x 350.5 mm
IP/NEMA Rating	Bezel UL Rated Type 4X	Bezel UL Rated Type 4X
Certification	UL 61010, UL Class I Division II	UL 61010
<b>Environmental</b>		
Operating Temperature	0~50°C (32~122°F)	0~50°C (32~122°F)
Storage Temperature	-20~60°C (-4~140°F)	-20~60°C (-4~140°F)
Relative Humidity	0~95%	0~95%

# Dimension Drawing

ARP-2219AP-G01  
 ARP-2219AP-H01  
 Size Unit: inch(mm)



## Ordering Information

Item	ARP-2219AP-G01-002-C1D2	ARP-2219AP-G01-006-C1D2
LCD Display	Standard	Standard
Touch Screen	5-Wire	5-Wire
Bezel	Black Powder Coated	Stainless Steel
CPU	i7 Mobile	i7 Mobile
Memory	8GB DDR3	8GB DDR3
Storage	N/A	N/A
ThinManager Ready	YES	YES
Power Supply	24VDC Input	24VDC Input
C1D2 Approval	YES	YES

Item	ARP-2219AP-G01-090-C1D2	ARP-2219AP-G01-094-C1D2
LCD Display	Standard	Standard
Touch Screen	5-Wire	5-Wire
Bezel	Black Powder Coated	Stainless Steel
CPU	i7 Mobile	i7 Mobile
Memory	16GB DDR3	16GB DDR3
Storage	2.5" SATA SSD	2.5" SATA SSD
ThinManager Ready	N/A	N/A
Power Supply	24VDC Input	24VDC Input
C1D2 Approval	YES	YES

Item	ARP-2219AP-G01-031	ARP-2219AP-G01-035
LCD Display	Standard	Standard
Touch Screen	5-Wire	5-Wire
Bezel	Black Powder Coated	Stainless Steel
CPU	i7-3612QM	i7-3612QM
Memory	16GB DDR3	16GB DDR3
Storage	2.5" SATA SSD	2.5" SATA SSD
ThinManager Ready	N/A	N/A
Power Supply	110/220VAC Input DIN-Rail	110/220VAC Input DIN-Rail
C1D2 Approval	N/A	N/A

Item	ARP-2219AP-H01-031	ARP-2219AP-H01-035
LCD Display	Standard	Standard
Touch Screen	5-Wire	5-Wire
Bezel	Black Powder Coated	Stainless Steel
CPU	i7-6700T	i7-6700T
Memory	32GB DDR4	32GB DDR4
Storage	2.5" SATA SSD	2.5" SATA SSD
ThinManager Ready	N/A	N/A
Power Supply	110/220VAC Input DIN-Rail	110/220VAC Input DIN-Rail
C1D2 Approval	N/A	N/A